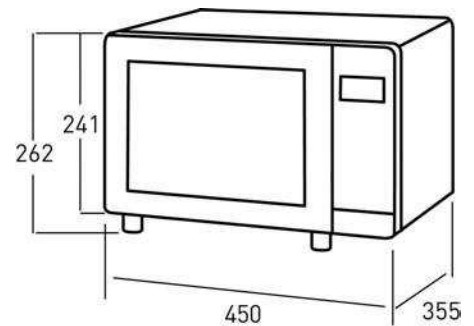


HMA 20

- Capacity 20 litres*
- Power: 800W*
- 6 power levels*
- Electronic panel*
- Grill Function*
- Turntable Glass Plate*
- Defrosting by time and weight*
- Express cooking*
- Finish cooking signal*
- Safety closing system for children*



CODE	MODEL	MEASUREMENTS
07507378	HMA 20	450 x 262 x 355
07602378	Built-in Kit	