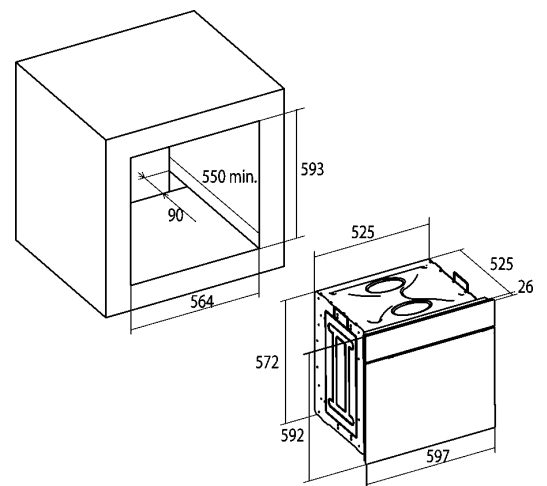


AMDG 500



LIGHTING	<i>Inner light</i>
THERMOSTAT	<i>ADJUSTABLE (50°-250°C) Mechanical Control</i>
CAPACITY	<i>59 Lt</i>
POWER	<i>2,4 KW</i>
ENERGY CLASS	<i>A</i>



1 tray / 1 grill



Digital



Cold door, double glass

CODE	MODEL	FINISHING	MEASUREMENTS
07010079	AMDG 500	s.steel	600 mm