

# AIT 460

**NEW**

### COOKING AREAS

*Induction*  
2 of  $\varnothing$  220 of 2,3 Kw  
2 of  $\varnothing$  180 of 1,4Kw

### TOTAL POWER

7,4 KW

### POWER SWITCH

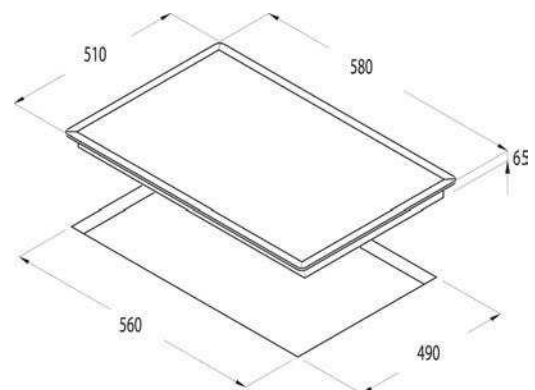
9 levels



4 Cooking areas



Safety locking system command panel



CODE	MODEL	FINISHING	MEASUREMENTS
08074078	AIT 460	frameless	580 mm