

# ACGI 460 S

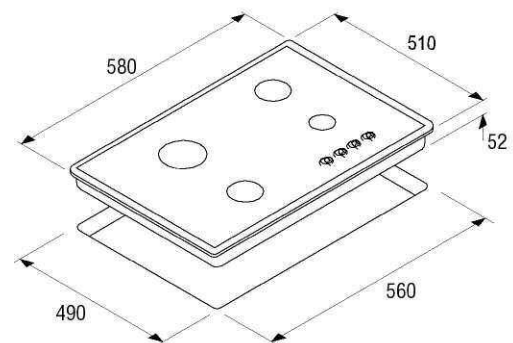
NEW

**COOKING AREAS**

1 Fast of 3Kw  
2 Semi-fast of 1,7Kw  
1 auxiliar of 1Kw

**TOTAL POWER**

7,4 KW



4 Cooking areas



Burner / grills, enamelled



Safety valve

CODE	MODEL	FINISHING	MEASUREMENTS
------	-------	-----------	--------------

08041479 ACGI 460 S black glass 580 mm

Multigas hob ready for Natural Gas (G-20), with accessories that can be easily connected to Butane Gas (G-30)